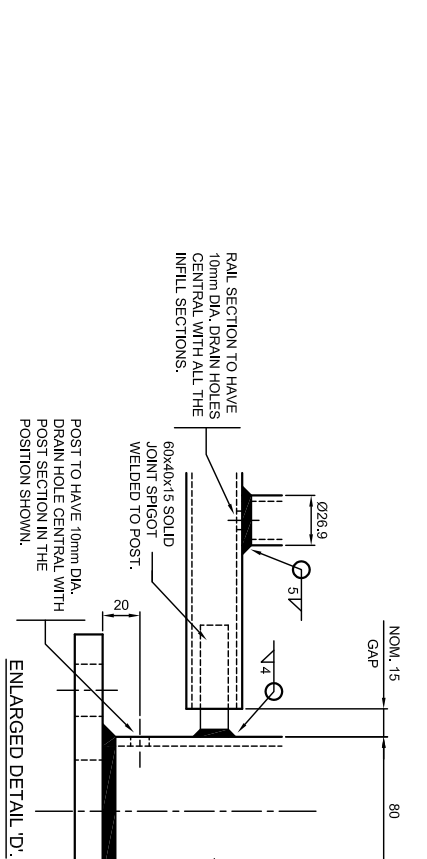
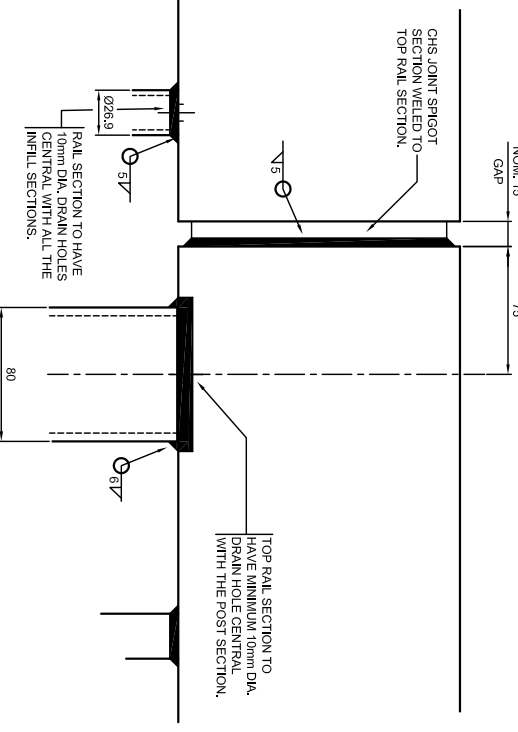
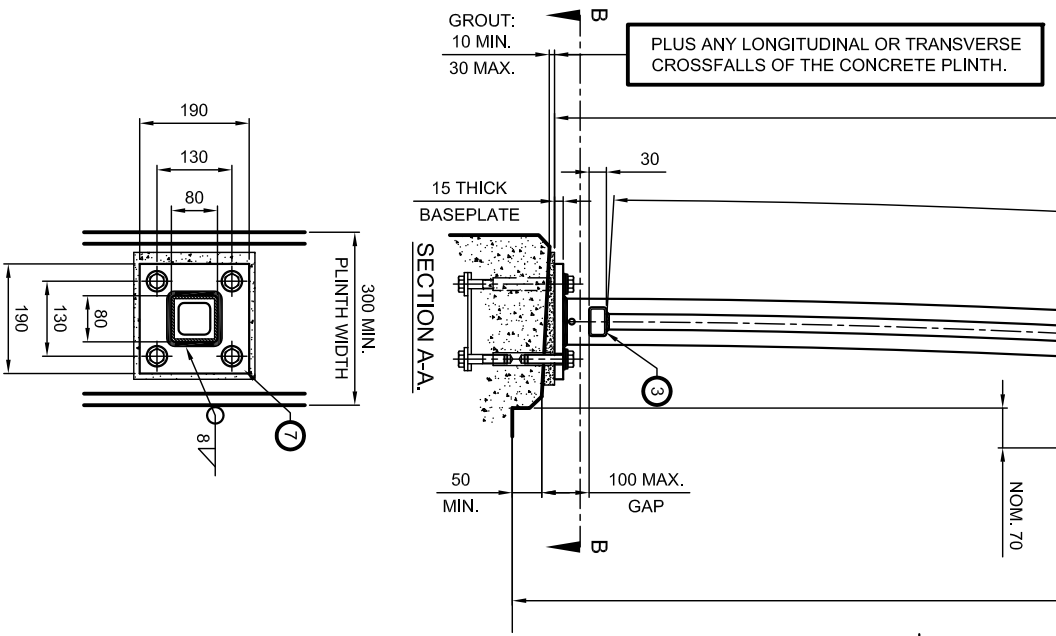


2330 OVERALL PANEL

PEDESTRIAN FACE.

2400 MINIMUM



- GENERAL NOTES:**
1. ALL STEEL WELDING TO BE IN ACCORDANCE WITH BS EN 1011-1 and 2.
 2. WELDERS AND WELDING PROCEDURES ARE IN ACCORDANCE WITH BS EN ISO 9806-1 AND BS EN ISO 15607.
 3. PANELS CANNOT BE RAISED TO SUIT ON SITE. TIGHTER RADI CAN BE SUPPLIED PERFORMED BY SPECIAL ARRANGEMENT.
 4. DIMENSIONS RELATIVE TO HEIGHT DATUM. ASSUME THERE IS NO LONGITUDINAL FALL ON THE PLINTH. ADDITIONAL TOLERANCES TO TAKE ACCOUNT OF THESE FALLS ARE PERMISSIBLE.
 5. AN EASILY LEGIBLE IDENTIFICATION PLATE SHALL BE APPLIED AND LOCATED NEAR TO THE TOP OF THE FIRST POST AT EACH APPROACH END IN AN EASILY VISIBLE POSITION.

ITEM	SPECIFICATION	MATERIAL SPECIFICATION	ITEM	SPECIFICATION
TOP RAIL	POST TOP RAIL AND INTER RAILS IN ACCORDANCE WITH BS EN 10219-1, BS EN 10219-2 GRADE S275J2H, BASEPLATE AND JOINTS IN ACCORDANCE WITH BS EN 10025-2 GRADE S275J0.	PLAIN WASHERS, GRADE A4 OR A2, GALVANISED STEEL WASHERS TO BE M16 FORM 'C' GALVANISED STEEL TOP HAT WASHER TO BE M16 CONFORMING TO NYLON 66 OR SIMILAR.	BOLTS	ALL BOLTS, SETSCREWS TO CONFORM TO BS 2769, TO BE STAINLESS STEEL TO BS EN ISO 5061-1 GRADE A4-80.
TOP JOINT	POST TOP RAIL AND INTER RAILS IN ACCORDANCE WITH BS EN 10219-1, BS EN 10219-2 GRADE S275J2H, BASEPLATE AND JOINTS IN ACCORDANCE WITH BS EN 10025-2 GRADE S275J0.			
BOTTOM JOINT	POST TOP RAIL AND INTER RAILS IN ACCORDANCE WITH BS EN 10219-1, BS EN 10219-2 GRADE S275J2H, BASEPLATE AND JOINTS IN ACCORDANCE WITH BS EN 10025-2 GRADE S275J0.			
BOTTOM RAIL	POST TOP RAIL AND INTER RAILS IN ACCORDANCE WITH BS EN 10219-1, BS EN 10219-2 GRADE S275J2H, BASEPLATE AND JOINTS IN ACCORDANCE WITH BS EN 10025-2 GRADE S275J0.			
BASEPLATE	POST TOP RAIL AND INTER RAILS IN ACCORDANCE WITH BS EN 10219-1, BS EN 10219-2 GRADE S275J2H, BASEPLATE AND JOINTS IN ACCORDANCE WITH BS EN 10025-2 GRADE S275J0.			
VERTICAL INFILL	IN ACCORDANCE WITH BS EN 10210-1, BS EN 10210-2 GRADE S355J2H.			

PEDESTRIAN PARAPET INFORMATION		PEDESTRIAN PARAPET PERFORMANCE	
UNFACTORED MOMENT OF RESISTANCE OF POST (kNm) AT UNDERSIDE OF BASEPLATE	11.3kNm	POST AND RAIL	CLASS 3*
SHEAR FORCE RESISTANCE OF POST (kN)	121kN	INFILL	CLASS C*
SIZE OF HOLDING DOWN BOLTS	M16	APPROVED ANCHORAGE UNITS	

OR OTHER APPROPRIATELY APPROVED CAST-IN OR DRILLED ANCHORAGE SYSTEM.

Rev	Date	Description

MANUFACTURING TOLERANCES:

TOLERANCES AS SHOWN UNLESS STATED OTHERWISE.

DIMENSIONS: TOLERANCES:

GREATER THAN 1000mm.	+ 2mm
LESS THAN 1000mm.	+ 1mm
ANGULAR DIMENSIONS:	+ 0°15'

NOTE: ALL ACCUMULATIVE TOLERANCES ARE TO BE CONTAINED WITHIN THE OVERALL TOLERANCE.

SITE ERECTION TOLERANCES:

WILL VARY TO SUIT SITE CONDITIONS.

ALL STANDARDS QUOTED ARE DEEMED CURRENT AT THE DATE THE DRAWING IS ISSUED FOR APPROVAL, UNLESS OTHERWISE STATED.

THIS DRAWING TO BE USED ONLY WITH

W/O No.

DRAWING TO BE RETURNED TO DRAWING OFFICE ON COMPLETION OF WORK.

SCALE: NOT TO SCALE. DATE: 08.04.2015

DRN: C.BENNETT. CHK: D.V.C.

Varley and Gulliver Ltd.
 Alfred Street, Sparkbrook, Birmingham B12 8JR
 Tel: 44 (0) 121 773 2441
 Fax: 44 (0) 121 766 6875
 Website: www.v-and-g.co.uk

TITLE: STANDARD ARRANGEMENT DRAWINGS OF STEEL ANTI-CRIMP PEDESTRIAN PARAPET SYSTEM - 2400mm HIGH.

DRAWING NUMBER: VGSP - 12. Temp